

VS60 Product Info

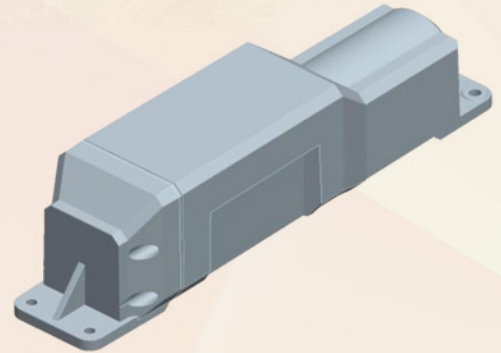
VS60 Battery Asset Tracker

ASSET TRACKING DEVICE WITH SUPERIOR GPS TECHNOLOGY

An extension to the ValorSystem family of asset management solutions, the VS-60 is a certified quad-band integrated platform that provides GSM/GPRS/GPS functionality for mobile asset monitoring.

The VS-60 was designed for the intelligent monitoring of non-powered mobile and fixed assets. The VS-60 is a battery operated device with internal GPS and GSM antennas.

The device must be installed ensuring that the top of the device has clear access to the sky. The BAT60 is a water resistant device, pursuant to the IP-67 rating. This rating specifies that the device is protected against dust, and high pressure jets of water. The device cannot be immersed in water.



- Up to 4 years of operation for every 12 hour reporting and 3 years for 8 hour reporting
- Fully Integrated - no need for external antenna or power source
- Superior GPS Sensitivity
- Water Resistant – Device is protected against high pressure jets of water
- Low Battery Alert – will report when battery voltage = 3.0V.
 - On 12 hour plan battery will last 15 days
 - On 8 hour plan battery will last 10 days from the date of the low battery alert

VS60 Specifications

Physical Specs

Size:	10" L x 2.36" W x 2.44" H
Weight:	25 oz.

GPS Functionality

Receiver	50 Channel
Receiver Sensitivity	-160 dBm

Environmental Specs

Temp	
Operating:	-30°C to +75°C
Storage:	-40°C to +85°C
IP rating:	IP67

Wireless Specs

Frequency:	GSM Quad Band (850/900/1800/1900 MHz)
Sensitivity:	
Transmit power:	Class 4 (2W@850 MHz) (2W@900 MHz) Class 1 (1W@1800 MHz) (1W@1900 MHz)

Power

	Mode	Avg
System	Sleep	< 1 mA @ 12vdc
GSM 850	1TX/1RX	190mA
GSM 1900	1TX/1RX	170mA

Battery

Chemistry	Lithium-Ion
Capacity	57 Amp Hour

